

1 2 3 4 5 6 7 8 9 10 11 12

A

B

C

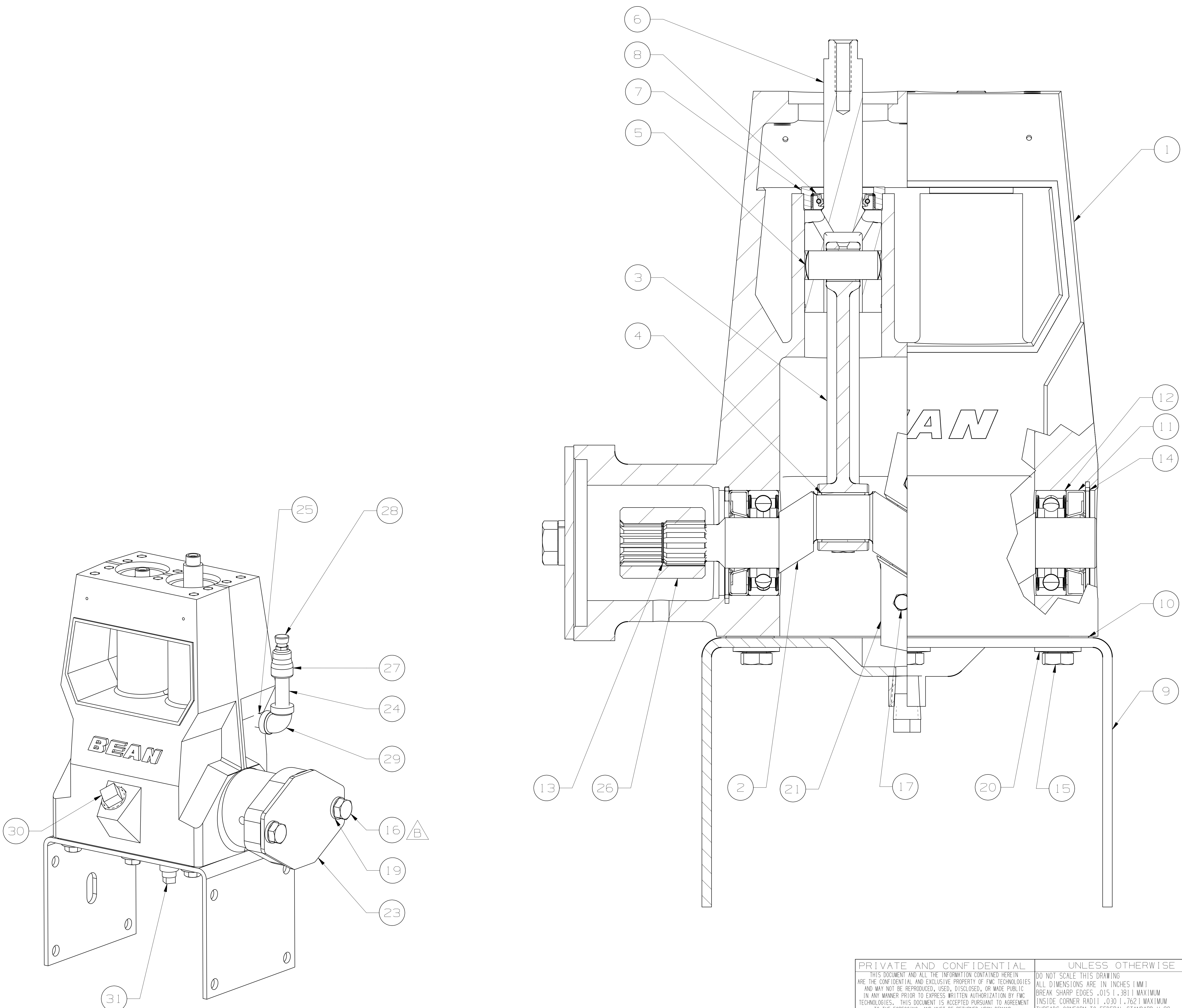
D

E

F

G

H



ITEM	DESCRIPTION	QTY
1	POWER FRAME:	1
2	CRANK:	1
3	CONNECTING ROD:	2
4	ROD BEARING; HALF SHELL	4
5	WRIST PIN:	2
6	CROSSHEAD:	2
7	SEAL HOLDER:	2
8	SEAL: PONY ROD	2
9	BACK COVER:	1
10	GASKET: BACK COVER	1
11	OIL SEAL SHAFT:	2
12	BALL BEARING:	2
13	RETAINER RING: WH-75	1
14	RETAINING RING:	2
15	CAP SCREW: HEX HEAD, 3/8 X .75 LG	6
16	CAP SCREW: HEX HEAD, 1/2 X 1.00 LG	2
17	CAP SCREW: HEX HD #10 X .75 LG	2
18	HEX NUT: #10 (NOT SHOWN)	2
19	LOCK WASHER: REGULAR, 1/2	2
20	WASHER: BELLEVILLE, 3/8	6
21	OIL SLINGER: RH	1
22	BOLTING STRIP: (NOT SHOWN)	1
23	PROTECTIVE COVER:	1
24	NIPPLE: 1/4 S40, 1/4 NPT X 2.00LGX2.00	1
25	NIPPLE: 1/4 S40, 1/4 NPT X 1.25LGX1.25	1
26	COUPLING:	1
27	REDUCER: 1/4 NPT X 1/8 NPT	1
28	LUBE VENT: 1/8-27 PTF	1
29	ELBOW: 1/4 FEMALE NPT	1
30	PIPE PLUG: SQ HEAD, 3/4 NPT	1
31	PIPE PLUG: 1/4 NPT	1
32	PIPE PLUG: SQ HEAD, 1/8 NPT (NOT SHOWN)	1

PRIVATE AND CONFIDENTIAL THIS DOCUMENT AND ALL THE INFORMATION CONTAINED HEREIN ARE THE CONFIDENTIAL AND EXCLUSIVE PROPERTY OF FMC TECHNOLOGIES AND MAY NOT BE REPRODUCED, USED, DISCLOSED, OR MADE PUBLIC IN ANY MANNER PRIOR TO EXPRESS WRITTEN AUTHORIZATION BY FMC TECHNOLOGIES. THIS DOCUMENT IS ACCEPTED PURSUANT TO AGREEMENT TO THE FOREGOING, AND MUST BE RETURNED UPON DEMAND. MANUFACTURER AGREES THAT ARTICLES MADE IN ACCORDANCE WITH THIS DOCUMENT SHALL BE CONSIDERED FMC TECHNOLOGIES' DESIGN, AND THAT IDENTICAL ARTICLES OR PARTS THEREOF SHALL NOT BE MANUFACTURED FOR THE USE OR SALE BY MANUFACTURER OR ANY OTHER PERSON OR ENTITY WITHOUT PRIOR EXPRESS WRITTEN AUTHORIZATION BY FMC TECHNOLOGIES.	UNLESS OTHERWISE SPECIFIED DO NOT SCALE THIS DRAWING ALL DIMENSIONS ARE IN INCHES (MM) BREAK SHARP EDGES .015 (1.381) MAXIMUM INSIDE CORNER RADIUS .030 (1.762) MAXIMUM THREADS CONFORM TO FEDERAL STANDARD H-28 TAPERED THREADS CONFORM TO API 6A BOLT HOLES MUST STRADDLE COMMON CENTERLINE FINISH 250 RMS ALL DIA'S CONCENTRIC WITHIN .010 (1.254) T.I.R.	TOLERANCE .X -- ± .030 (1.762) .XX -- ± .015 (1.381) .XXX -- ± .005 (1.127) ANGLE -- ± 30°	DESCRIPTION POWER END ASSEMBLY: A04 LH, 7/8-13T, 16/32 SPLINE AND 2 BOLT HYD. MOTOR MOUNT	DRAWN BY: GILDER, TOBY	DATE: 08-APR-2008	FMC Technologies
				DRAFTING CHECKED: LOUDERMILK, STEVE	DATE: 30-JUN-2008	
				APPROVED BY: EVANS, AARON	DATE: 10-SEP-2008	DRAWING NUMBER DU500004728 <small>COPYRIGHT FMC TECHNOLOGIES</small>