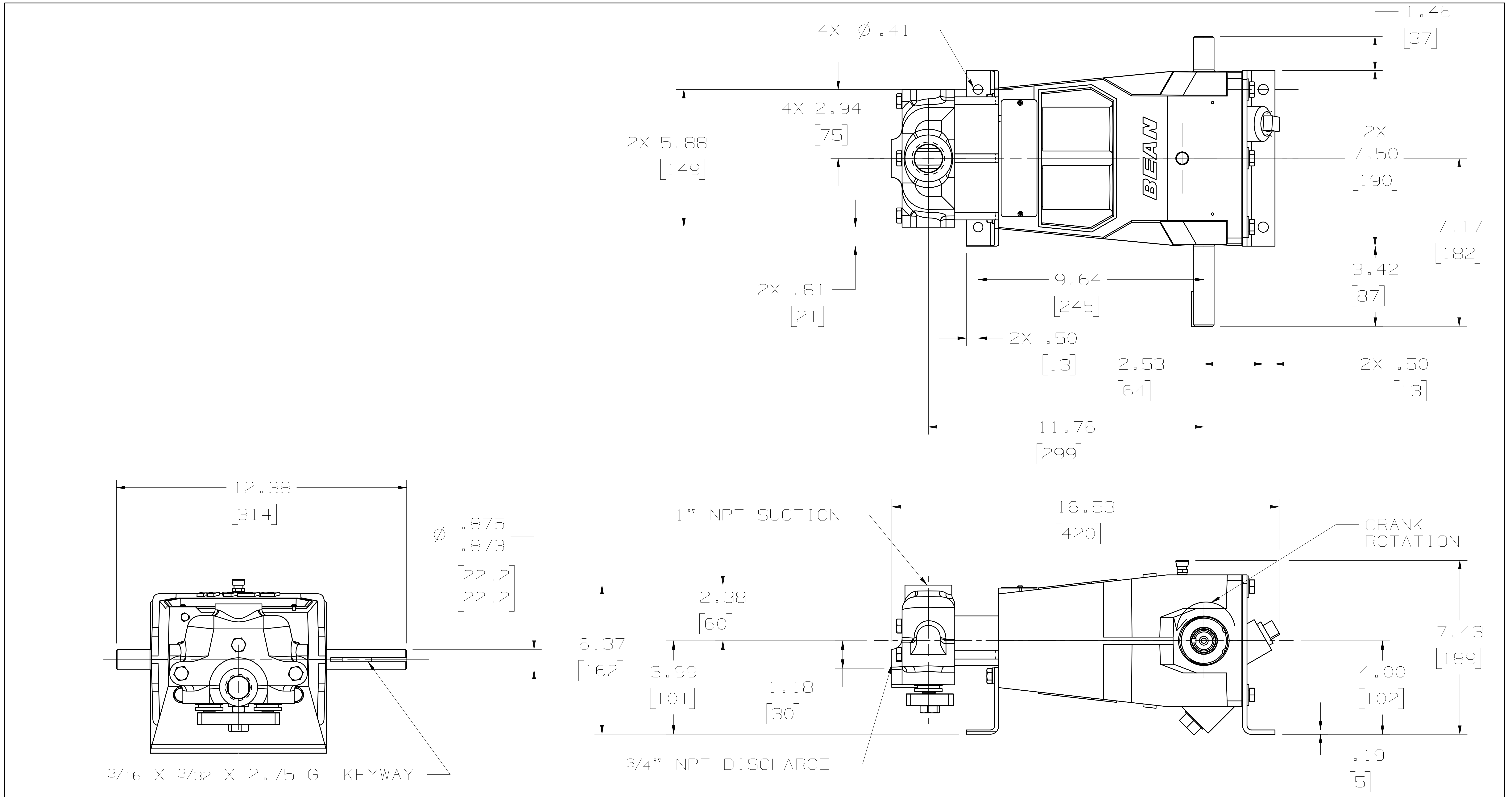


ITEM	DESCRIPTION	QTY
1	POWER END ASSEMBLY:	1
2	FLUID CYLINDER:	1
3	SEAT:	4
4	SPRING AND DISC ASSEMBLY:	4
5	VALVE CAGE:	4
6	O-RING: UNIFORM #213	6
7	CYLINDER:	2
8	PACKING SPRING COMPRESSOR:	2
9	PACKING WASHER:	2
10	WASHER: UMBRELLA	2
11	BACKUP WASHER:	2
12	O-RING: UNIFORM #015	2
13	CSHH: 1/2 X 1.50 LG	1
14	CSHH: 3/8 X 5.00LG	3
15	CSHH: 3/8 X .75 LG	2
16	CAP SCREW: HEX HEAD, 5/16 X 1.50 L	2
17	GASKET: VALVE COVER	4
18	VALVE COVER CLAMP:	1
19	VALVE COVER:	2
20	PLUNGER WASHER:	2
21	PLUNGER CUP: .313LG	2
22	PISTON CUP:	2
23	CAPLUG 12 (NOT SHOWN)	1
24	CAPLUG 14 (NOT SHOWN)	1

PRIVATE AND CONFIDENTIAL THIS DOCUMENT AND ALL THE INFORMATION CONTAINED HEREIN ARE THE CONFIDENTIAL AND EXCLUSIVE PROPERTY OF FMC TECHNOLOGIES AND MAY NOT BE REPRODUCED, USED, DISCLOSED, OR MADE PUBLIC IN ANY MANNER PRIOR TO EXPRESS WRITTEN AUTHORIZATION BY FMC TECHNOLOGIES. THIS DOCUMENT IS ACCEPTED PURSUANT TO AGREEMENT TO THE FOREGOING, AND MUST BE RETURNED UPON DEMAND. MANUFACTURER AGREES THAT ARTICLES MADE IN ACCORDANCE WITH THIS DOCUMENT SHALL BE CONSIDERED FMC TECHNOLOGIES' DESIGN, AND THAT IDENTICAL ARTICLES OR PARTS THEREOF SHALL NOT BE MANUFACTURED FOR THE USE OR SALE BY MANUFACTURER OR ANY OTHER PERSON OR ENTITY WITHOUT PRIOR EXPRESS WRITTEN AUTHORIZATION BY FMC TECHNOLOGIES.	UNLESS OTHERWISE SPECIFIED DO NOT SCALE THIS DRAWING ALL DIMENSIONS ARE IN INCHES 1MM BREAK SHARP EDGES .015 (1.381) MAXIMUM INSIDE CORNER RADIUS .030 (1.762) MAXIMUM THREADS CONFORM TO FEDERAL STANDARD H-28 TAPERED THREADS CONFORM TO API 6A BOLT HOLES MUST STRADDLE COMMON CENTERLINE FINISH 250 RMS ALL DIA'S CONCENTRIC WITHIN .010 (1.254) T.I.R.	TOLERANCE .X ± .030 (10.762) .XX ± .015 (10.381) .XXX ± .005 (10.127) ANGLE ± 0° 30'	DESCRIPTION PUMP ASSEMBLY: 10413 RH, W/1 NPT X 3/4 NPT FLUID END, DISC VALVE ASSEMBLIES, MOUNTING FEET	DRAWN BY: WILLIAMS, ANTHONY	DATE: 10-FEB-2011	FMC Technologies
				DRAFTING CHECK: JOHNS, KENNETH	DATE: 14-MAR-2011	
APPROVED BY: LYON, TIM	DATE: 31-MAR-2011	MANUFACTURING APPROVAL: DATE:	LATEST ECN NO. 5026421	REV. C	DRAWING NUMBER DUS00008247	SHEET 1/2



PRIVATE AND CONFIDENTIAL

THIS DOCUMENT AND ALL THE INFORMATION CONTAINED HEREIN ARE THE CONFIDENTIAL AND EXCLUSIVE PROPERTY OF FMC TECHNOLOGIES AND MAY NOT BE REPRODUCED, USED, DISCLOSED, OR MADE PUBLIC IN ANY MANNER PRIOR TO EXPRESS WRITTEN AUTHORIZATION BY FMC TECHNOLOGIES. THIS DOCUMENT IS ACCEPTED PURSUANT TO AGREEMENT TO THE FOREGOING, AND MUST BE RETURNED UPON DEMAND.

MANUFACTURER AGREES THAT ARTICLES MADE IN ACCORDANCE WITH THIS DOCUMENT SHALL BE CONSIDERED FMC TECHNOLOGIES' DESIGN, AND THAT IDENTICAL ARTICLES OR PARTS THEREOF SHALL NOT BE MANUFACTURED FOR THE USE OR SALE BY MANUFACTURER OR ANY OTHER PERSON OR ENTITY WITHOUT PRIOR EXPRESS WRITTEN AUTHORIZATION BY FMC TECHNOLOGIES.

ENGINEERING
DIMENSIONAL
OUTLINE

DESCRIPTION
PUMP ASSEMBLY; 10413 RH,
W/1 NPT X 3/4 NPT FLUID
END, DISC VALVE
ASSEMBLIES, MOUNTING
FEET

DRAWN BY: WILLIAMS, ANTHONY	DATE: 10-FEB-2011
DRAFTING CHECK: JOHNS, KENNETH	DATE: 14-MAR-2011
DESIGN REVIEW: MCCLAIN, MATHEW	DATE: 31-MAR-2011
MANUFACTURING APPROVAL:	DATE:
APPROVED BY: LYON, TIM	DATE: 31-MAR-2011

FMC Technologies

LATEST ECN NO. 5026421	REV. C
DRAWING NUMBER DU500008247	SHEET 2/2

COPYRIGHT FMC TECHNOLOGIES