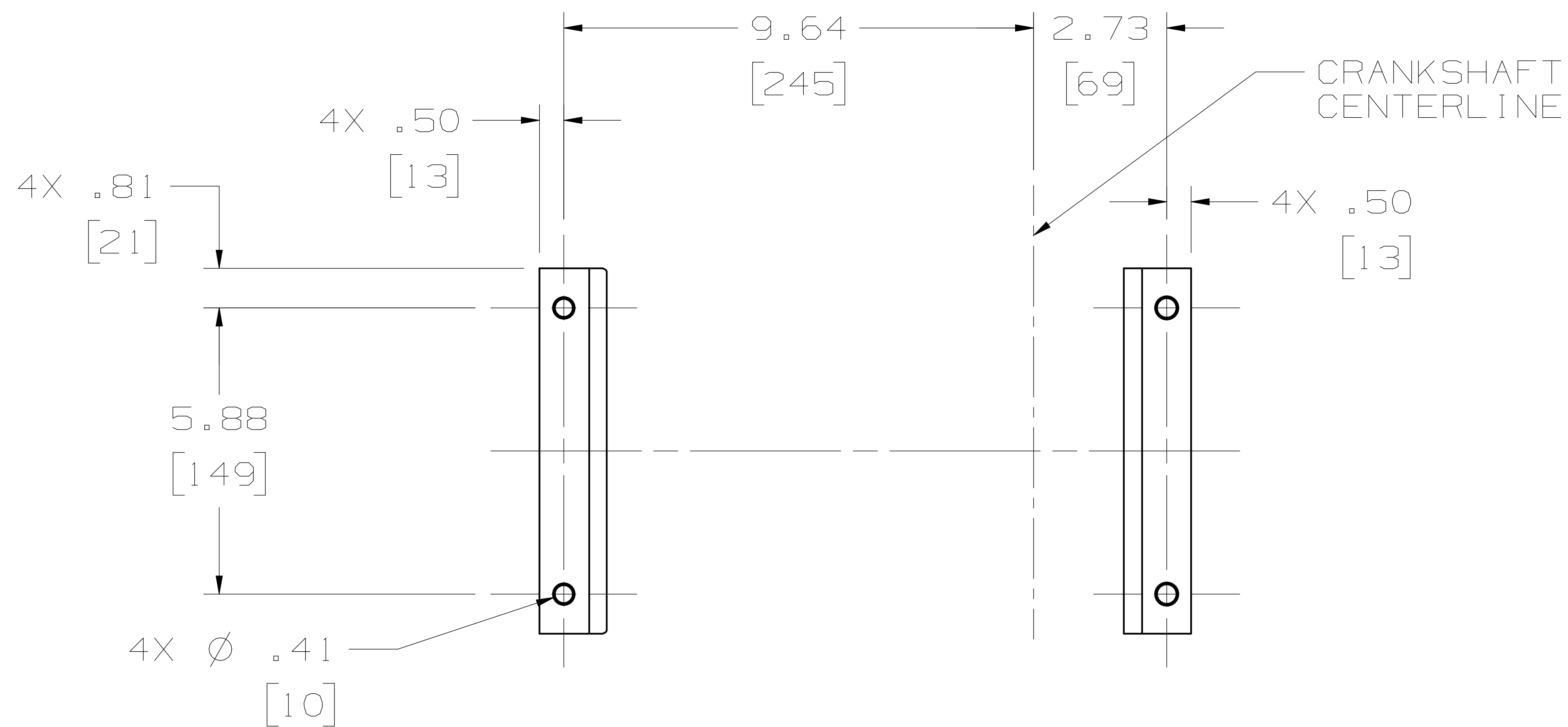
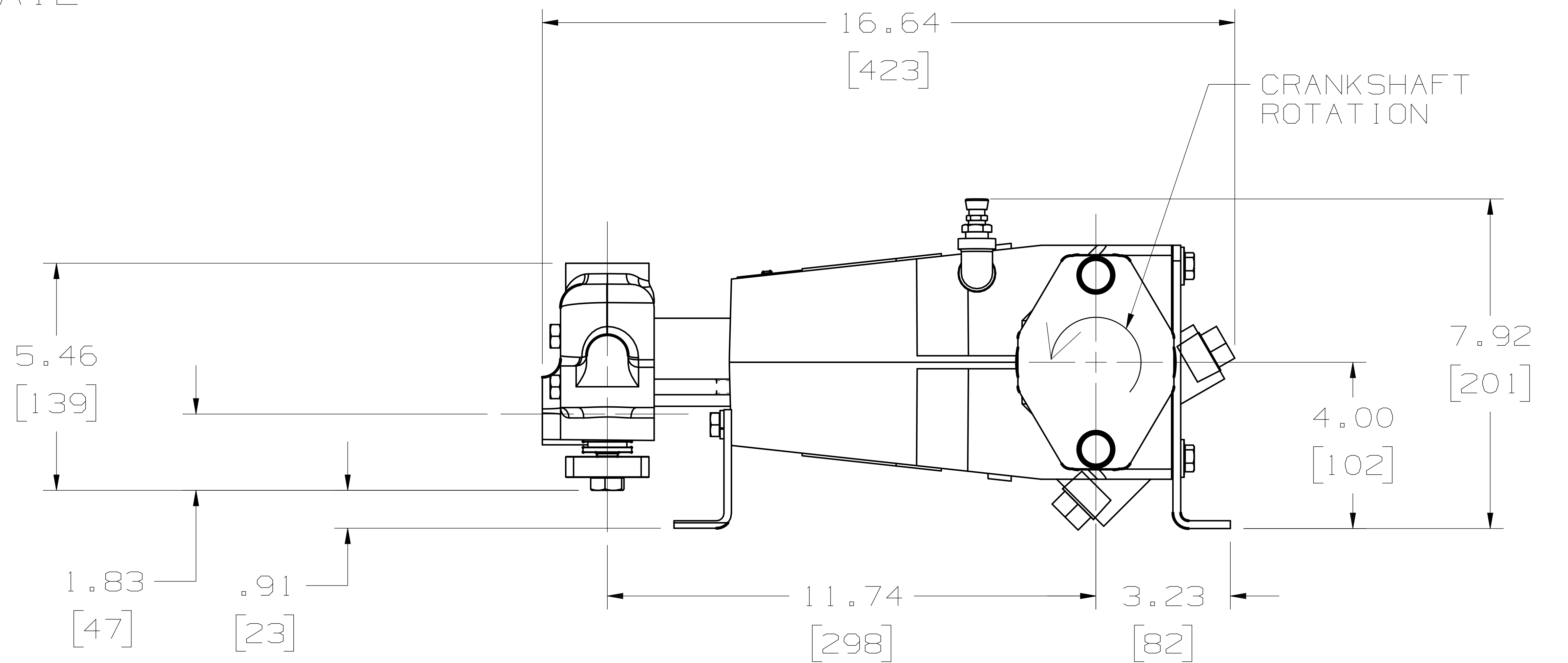
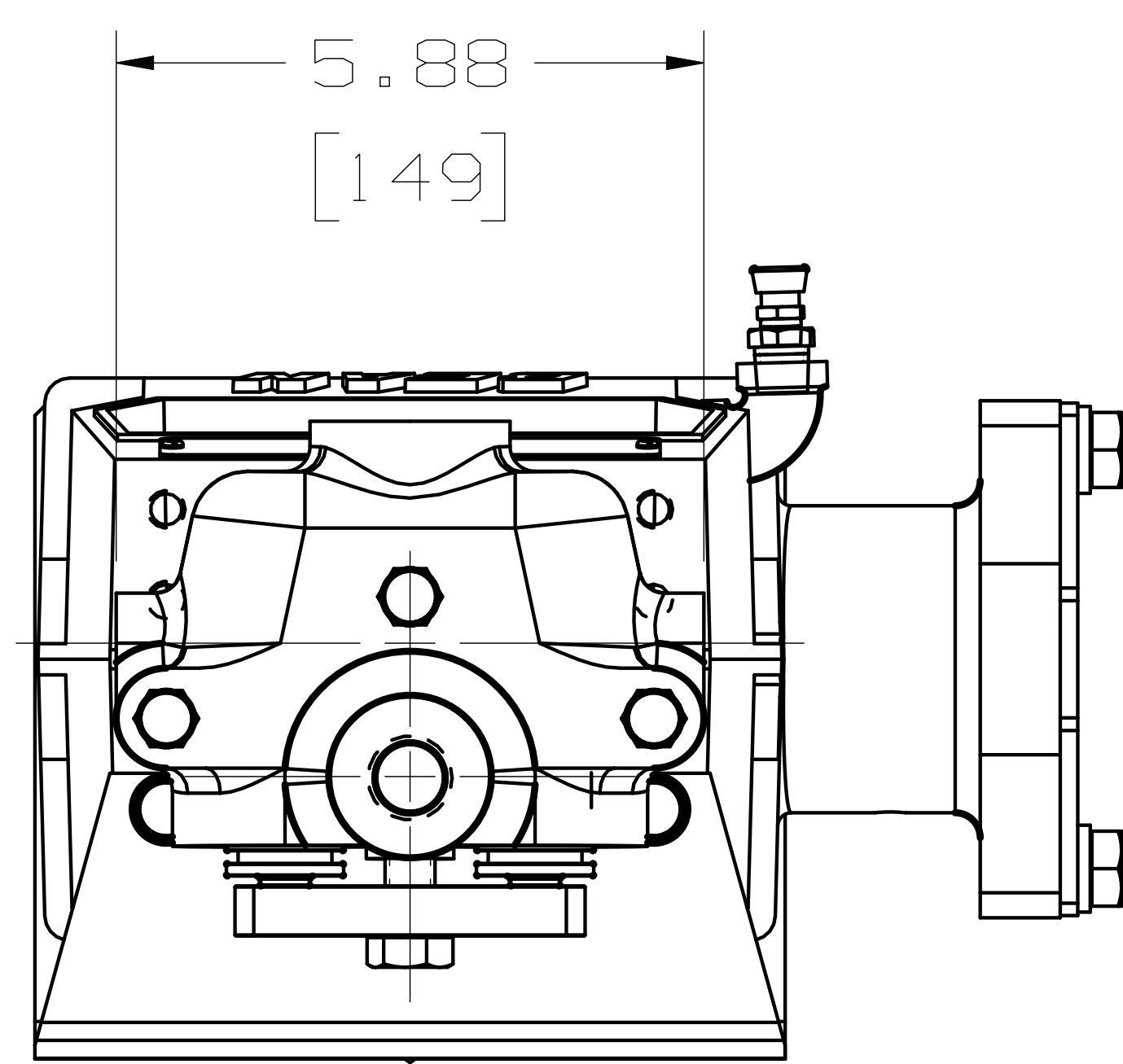
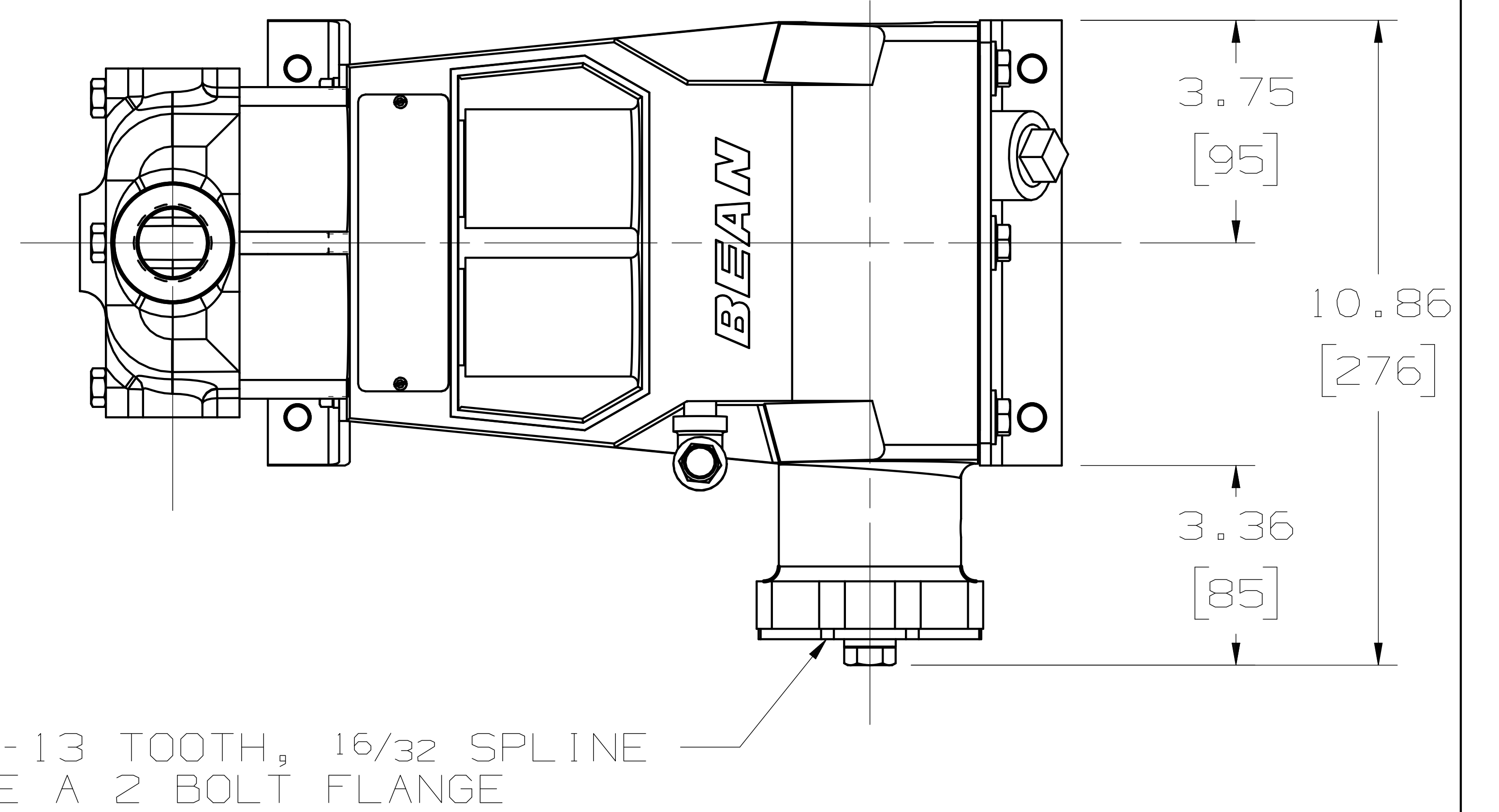


ITEM	DESCRIPTION	QTY
1	POWER END ASSEMBLY:	1
2	FLUID CYLINDER:	1
3	CYLINDER:	2
4	PISTON CUP:	2
5	CUP WASHER: A04	2
6	PISTON HOLDER:	2
7	SEAT:	4
8	VALVE CAGE:	4
9	SPRING AND DISC ASSEMBLY:	4
10	WASHER: UMBRELLA	2
11	VALVE COVER:	2
12	VALVE COVER CLAMP:	1
13	O-RING: UNIFORM #033	2
14	O-RING: UNIFORM #015	2
15	O-RING: UNIFORM #213	6
16	GASKET: VALVE COVER	2
17	RING SEAL: CYLINDER	2
18	CAP SCREW: HEX HEAD, 5/16 X 1.50 LG	2
19	CAP SCREW: HEX HEAD, 1/2 X 1.50 LG	1
20	CAP SCREW: HEX HEAD, 3/8 X 5.00 LG	3
21	THREAD PROTECTOR: CAPPLUGS #T-9 (NOT SHOWN)	1
22	CAPPLUG: INT 14 (NOT SHOWN)	1
23	NAMEPLATE:	1
24	SELF TAPPING SCREW:	2

PRIVATE AND CONFIDENTIAL THIS DOCUMENT AND ALL THE INFORMATION CONTAINED HEREIN ARE THE CONFIDENTIAL AND EXCLUSIVE PROPERTY OF FMC TECHNOLOGIES AND MAY NOT BE REPRODUCED, USED, DISCLOSED, OR MADE PUBLIC IN ANY MANNER PRIOR TO EXPRESS WRITTEN AUTHORIZATION BY FMC TECHNOLOGIES. THIS DOCUMENT IS ACCEPTED PURSUANT TO AGREEMENT TO THE FOREGOING, AND MUST BE RETURNED UPON DEMAND. MANUFACTURER AGREES THAT ARTICLES MADE IN ACCORDANCE WITH THIS DOCUMENT SHALL BE CONSIDERED FMC TECHNOLOGIES' DESIGN, AND THAT IDENTICAL ARTICLES OR PARTS THEREOF SHALL NOT BE MANUFACTURED FOR THE USE OR SALE BY MANUFACTURER OR ANY OTHER PERSON OR ENTITY WITHOUT PRIOR EXPRESS WRITTEN AUTHORIZATION BY FMC TECHNOLOGIES.	UNLESS OTHERWISE SPECIFIED DO NOT SCALE THIS DRAWING ALL DIMENSIONS ARE IN INCHES (MM) BREAK SHARP EDGES .015 (1.381) MAXIMUM INSIDE CORNER RADIUS .030 (1.762) MAXIMUM THREADS CONFORM TO FEDERAL STANDARD H-28 TAPERED THREADS CONFORM TO API 6A BOLT HOLES MUST STRADDLE COMMON CENTERLINE FINISH 250 RMS ALL DIA'S CONCENTRIC WITHIN .010 (1.254) T.I.R.	TOLERANCE .X -- ± .030 (1.762) .XX -- ± .015 (1.381) .XXX -- ± .005 (1.271) ANGLE -- ± 30°	DESCRIPTION PUMP ASSEMBLY: 10413C RH, W/1 NPT X 1/2 NPT FLUID END, PISTON, DISC VALVE ASSEMBLIES, HYD DRIVE	DRAWN BY: WOLVERTON, JARROD	DATE: 18-MAY-2009	FMC Technologies
				DRAFTING CHECKED: WOLVERTON, JARROD	DATE: 19-JUN-2009	



FOOT PRINT AND MOUNTING DETAIL



PRIVATE AND CONFIDENTIAL

THIS DOCUMENT AND ALL THE INFORMATION CONTAINED HEREIN ARE THE CONFIDENTIAL AND EXCLUSIVE PROPERTY OF FMC TECHNOLOGIES AND MAY NOT BE REPRODUCED, USED, DISCLOSED, OR MADE PUBLIC IN ANY MANNER PRIOR TO EXPRESS WRITTEN AUTHORIZATION BY FMC TECHNOLOGIES. THIS DOCUMENT IS ACCEPTED PURSUANT TO AGREEMENT TO THE FOREGOING, AND MUST BE RETURNED UPON DEMAND.

MANUFACTURER AGREES THAT ARTICLES MADE IN ACCORDANCE WITH THIS DOCUMENT SHALL BE CONSIDERED FMC TECHNOLOGIES' DESIGN, AND THAT IDENTICAL ARTICLES OR PARTS THEREOF SHALL NOT BE MANUFACTURED FOR THE USE OR SALE BY MANUFACTURER OR ANY OTHER PERSON OR ENTITY WITHOUT PRIOR EXPRESS WRITTEN AUTHORIZATION BY FMC TECHNOLOGIES.

ENGINEERING
 DIMENSIONAL
 OUTLINE

DESCRIPTION
 PUMP ASSEMBLY; 10413C
 RH, W/1 NPT X 1/2 NPT
 FLUID END, PISTON, DISC
 VALVE ASSEMBLIES, HYD
 DRIVE

DRAWN BY: WOLVERTON, JARROD	DATE: 18-MAY-2009
DRAFTING CHECK: WOLVERTON, JARROD	DATE: 19-JUN-2009
DESIGN REVIEW: LYON, TIM	DATE: 15-OCT-2009
MANUFACTURING APPROVAL:	DATE:
APPROVED BY: SINGLETERRY, RONALD	DATE: 15-OCT-2009



LATEST ECN NO. 5022358	REV. A
DRAWING NUMBER DU500015418	

COPYRIGHT FMC TECHNOLOGIES